



INSTYTUT TECHNIKI BUDOWLANEJ



Member of



www.eota.eu

European Technical Assessment

ETA-23/1029
of 08/02/2024



General Part

Technical Assessment Body issuing the European Technical Assessment

Instytut Techniki Budowlanej

Trade name of the construction product

JCP Drop In Anchor DBM / DBMSH

Product family to which the construction product belongs

Deformation-controlled expansion fasteners for use in concrete for redundant non-structural systems

Manufacturer

Hexstone Ltd Trading
as JCP Construction Products
Opal Way, Stone Business Park Stone
ST15 0SW Staffordshire
Great Britain

Manufacturing plant

Manufacturing Plant 7

This European Technical Assessment contains

10 pages including 3 Annexes which form an integral part of this Assessment

This European Technical Assessment is issued in accordance with regulation (EU) No 305/2011, on the basis of

European Assessment Document (EAD)
330747-00-0601 "Fasteners for use in concrete for redundant non-structural systems"



This European Technical Assessment is issued by the Technical Assessment Body in its official language. Translations of this European Technical Assessment in other languages shall fully correspond to the original issued document and shall be identified as such.

Communication of this European Technical Assessment, including transmission by electronic means, shall be in full. However, partial reproduction may only be made with the written consent of the issuing Technical Assessment Body. Any partial reproduction has to be identified as such.

Specific Part

1 Technical description of the product

JCP Drop In Anchor DBM / DBMSH are deformation-controlled expansion fasteners, made of carbon steel.

The fastener is installed in a drilled hole and anchored by deformation-controlled expansion.

The products description is given in Annex A.

2 Specification of the intended use in accordance with the applicable European Assessment Document (EAD)

The performances given in clause 3 are only valid if the fastener is used in compliance with the specifications and conditions given in Annex B.

The provisions made in this European Technical Assessment are based on an assumed working life of the fastener of 50 years. The indications given on the working life cannot be interpreted as a guarantee given by the producer or Technical Assessment Body, but are to be regarded only as a means for choosing the right products in relation to the expected economically reasonable working life of the works.

3 Performance of the product and references to the methods used for its assessment

3.1 Performance of the product

3.1.1 Safety in case of fire (BWR 2)

Essential characteristic	Performance
Reaction to fire	Class A1
Resistance to fire	Annex C2

3.1.2 Safety and accessibility in use (BWR 4)

Essential characteristic	Performance
Characteristic resistance for all load directions	Annex C1
Durability	Annex A1 and B1

3.2 Methods used for the assessment

The assessment has been made in accordance with EAD 330747-00-0601.

4 Assessment and verification of constancy of performance (AVCP) system applied, with reference to its legal base

According to Decision 97/161/EC of the European Commission the system 2+ of assessment and verification of constancy of performance applies (see Annex V to regulation (EU) No 305/2011).

5 Technical details necessary for the implementation of the AVCP system, as provided in the applicable European Assessment Document (EAD)

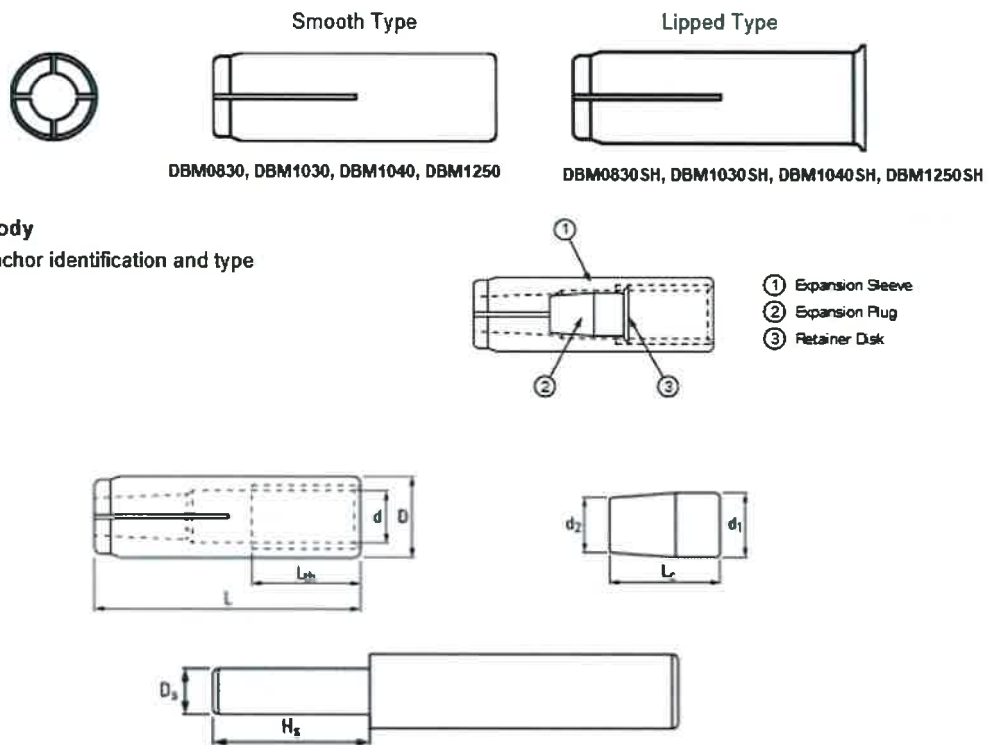
Technical details necessary for the implementation of the AVCP system are laid down in the control plan deposited in Instytut Techniki Budowlanej.

For type testing the results of the tests performed as part of the assessment for the European Technical Assessment shall be used unless there are changes in the production line or plant. In such cases the necessary type testing has to be agreed between Instytut Techniki Budowlanej and the notified body.

Issued in Warsaw on 08/02/2024 by Instytut Techniki Budowlanej



Anna Panek, MSc
Deputy Director of ITB


Marking on the body
DBM - anchor identification and type

XX - size

Table A1. Dimensions

Dimensions			DBM0830 DBM0830SH	DBM1030 DBM1030SH	DBM1040 DBM1040SH	DBM1250 DBM1250SH
Fastener size			M8x30	M10x30	M10x40	M12x50
Expansion sleeve						
Sleeve diameter	D	[mm]	10	12	12	16
Sleeve length	L	[mm]	30	30	40	50
Thread	d	[-]	M8	M10	M10	M12
Thread length	L _{th}	[mm]	13	13	19	22
Expansion plug						
Plug diameter	d ₁	[mm]	6,5	8	8,1	10,15
	d ₂	[mm]	5,55	6,925	6,5	8,5
Plug length	L _c	[mm]	12	11,1	15,25	20,0
Installation pin						
Setting pin diameter	D _s	[mm]	6,5	8,0	8,0	10,2
Setting pin length	H _s	[mm]	18	18	24	30

Table A2. Materials

Element	Material	
Expansion sleeve	Carbon steel grade C1008	Electroplated zinc coating $\geq 5 \mu\text{m}$ according to EN ISO 4042
Expansion plug	Carbon steel grade Q195	

JCP Drop In Anchor DBM / DBMSH
Product description
 Characteristics of the product

Annex A1
 of European
 Technical Assessment
 ETA-23/1029

Specification of intended use

Anchorage subject to:

- Multiple use for non-structural application.
- Static and quasi-static loads.
- Anchorages with requirements related to resistance to fire.

Base material:

- Reinforced or unreinforced normal weight concrete (without fibres) of strength class C20/25 to C50/60 according to EN 206.
- Uncracked and cracked concrete.

Use conditions (environmental conditions):

- Anchorages subject to dry internal conditions.

Design:

- Anchorages are designed under the responsibility of an engineer experienced in anchorages and concrete work.
- Verifiable calculation notes and drawings are prepared taking account of the loads to be transmitted. The position of the fastener is indicated on the design drawings (e.g. position of the fastener relative to reinforcement or to supports, etc.).
- Anchorages under static and quasi-static loads and under fire exposure are designed in accordance with EN 1992-4:2018.
- Fasteners are only to be used for multiple use for non-structural applications according to EAD 330747-00-0601.

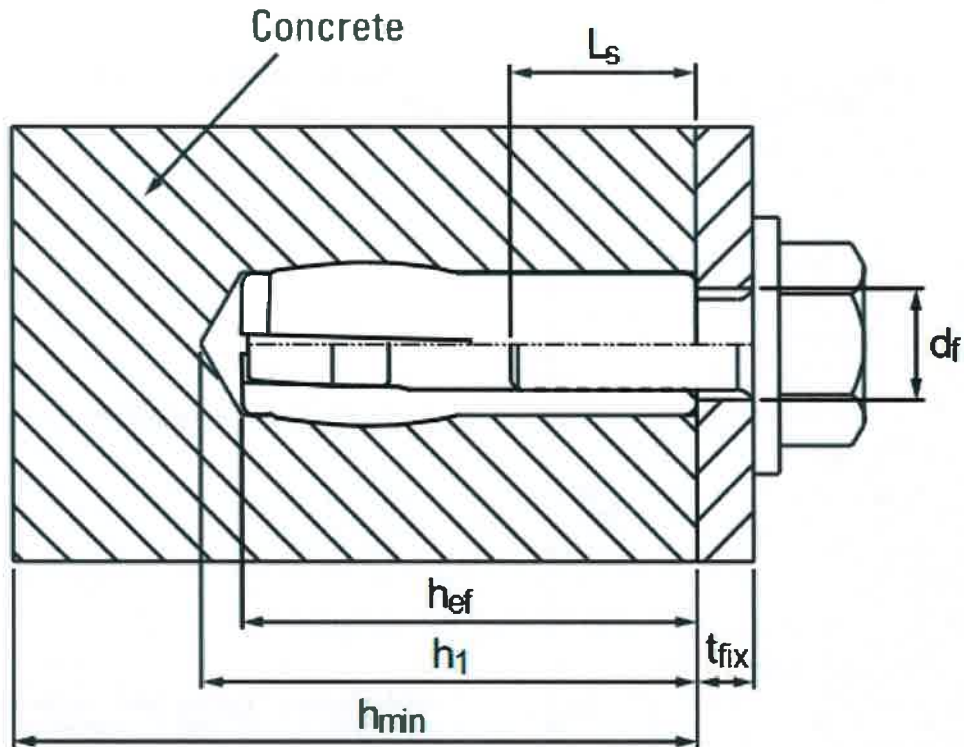
Installation:

- Fastener installation carried out by appropriately qualified personnel and under the supervision of the person responsible for technical matters of the site.
- Use of the fastener only as supplied by the manufacturer without exchanging any component of the fastener.
- Fastener installation in accordance with the manufacturer's specifications and drawings and using the appropriate tools.
- Check of concrete being well compacted, e.g. without significant voids.
- Positioning of the drill holes without damaging the reinforcement.
- In case of aborted hole: new drilling at a minimum distance away of twice the depth of the aborted hole or smaller distance if the aborted drill hole is filled with high strength mortar and if under shear or oblique tension load it is not in the direction of load application.
- Fastener installation such that the effective anchorage depth is complied with.

JCP Drop In Anchor DBM / DBMSH

**Intended use
Specifications**

**Annex B1
of European
Technical Assessment
ETA-23/1029**


Table B1. Installation parameters

Fastener			DBM0830 DBM0830SH	DBM1030 DBM1030SH	DBM1040 DBM1040SH	DBM1250 DBM1250SH
Size			M8x30	M10x30	M10x40	M12x50
Effective anchorage depth	h_{ef}	[mm]	30	30	40	50
Drill hole depth	h_1	[mm]	33	33	43	54
Drill hole diameter	d_0	[mm]	10	12	12	16
Maximum installation torque	T_{inst}	[Nm]	11	17	17	38
Minimum thickness of concrete member	h_{min}	[mm]	80	80	80	100
Minimum screwing depth	$L_{s,min}$	[mm]	8	10	10	12
Maximum screwing depth	$L_{s,max}$	[mm]	13	13	19	22
Diameter of clearance hole in the fixture	d_f	[mm]	9	12	12	14
Minimum spacing	s_{min}	[mm]	200	200	200	250
Minimum edge distance	c_{min}	[mm]	150	150	150	150

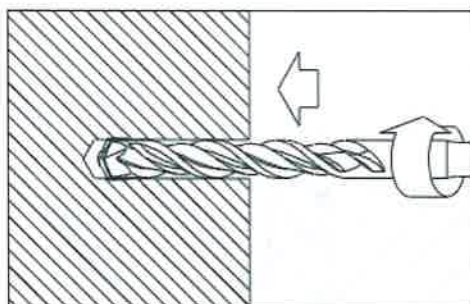
Fastening screws or fastener threaded rods:

Steel, property class 4.8 / 5.8 / 6.8 / 8.8 according to EN-ISO 898-1; thickness of zinc coating $\geq 5 \mu\text{m}$

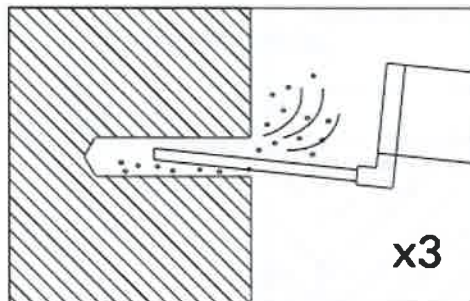
JCP Drop In Anchor DBM / DBMSH

Intended use
Installation parameters

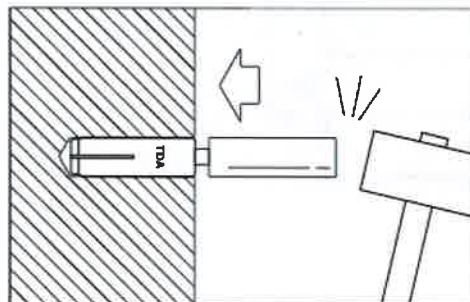
Annex B2
of European
Technical Assessment
ETA-23/1029



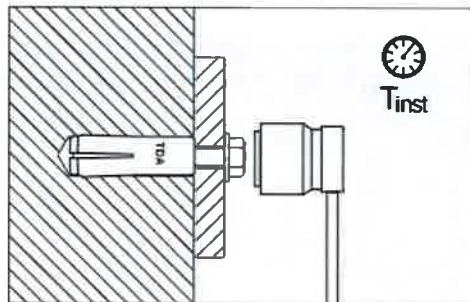
Drill hole with metal hammer drill machine.
Drill to a required depth.



Blow out dust at least 3 times with a hand pump.



Put the fastener into the drill hole, hammering with the installation tool, until the setting pin fully insert into the fastener.



Fix the fixture by screw or threaded rod with max. T_{inst} .

JCP Drop In Anchor DBM / DBMSH

Intended use
Installation instructions and tools

Annex B3
of European
Technical Assessment
ETA-23/1029

Table C1: Characteristic resistance in concrete C20/25 to C50/60

Fastener			DBM0830 DBM0830SH	DBM1030 DBM1030S	DBM1040 DBM1040SH	DBM1250 DBM1250SH
Size			M8x30	M10x30	M10x40	M12x50
All load directions (fastening screw or threaded rod property class ≥ 4.8)						
Characteristic resistance in concrete C20/25 to C50/60	F_{Rk}^0	[kN]	4,0	4,5	4,5	7,0
Installation safety factor	γ_{inst}	[-]	1,4	1,4	1,2	1,2
Partial safety factor	$\gamma_M^{1)}$	[-]	1,5	1,5	1,5	1,5
Spacing	s_{cr}	[mm]	200	200	200	250
Edge distance	c_{cr}	[mm]	150	150	150	150
Minimum member thickness	h_{min}	[mm]	80	80	80	100
Shear load: steel failure with lever arm						
Characteristic bending moment: screw class 4.8	$M_{Rk,s}^0$	[Nm]	15,0	30,0	30,0	52,4
Partial safety factor	$\gamma_{Ms}^{1)}$	[-]	1,25	1,25	1,25	1,25
Characteristic bending moment: screw class 5.8	$M_{Rk,s}^0$	[Nm]	19,0	37,0	37,0	65,6
Partial safety factor	$\gamma_{Ms}^{1)}$	[-]	1,25	1,25	1,25	1,25
Characteristic bending moment: screw class 6.8	$M_{Rk,s}^0$	[Nm]	23,0	45,0	45,0	78,7
Partial safety factor	$\gamma_{Ms}^{1)}$	[-]	1,25	1,25	1,25	1,25
Characteristic bending moment: screw class 8.8	$M_{Rk,s}^0$	[Nm]	30,0	60,0	60,0	104,9
Partial safety factor	$\gamma_{Ms}^{1)}$	[-]	1,25	1,25	1,25	1,25
¹⁾ in the absence of other national regulation						

JCP Drop In Anchor DBM / DBMSH
Performance
 Characteristic resistance

Annex C1
 of European
 Technical Assessment
 ETA-23/1029

Table C2: Characteristic resistance under fire exposure in concrete C20/25 to C50/60

Fastener		DBM0830 DBM0830SH	DBM1030 DBM1030SH	DBM1040 DBM1040SH	DBM1250 DBM1250SH	
Size		M8x30	M10x30	M10x40	M12x50	
Fire resistance class (fastening screw or threaded rod property class ≥ 4.8)						
R30	Characteristic resistance $F_{Rk,fi}^{0,1)}$	[kN]	0,89	0,89	1,13	1,75
R60		[kN]	0,89	0,89	1,13	1,75
R90		[kN]	0,89	0,89	1,13	1,75
R120		[kN]	0,71	0,71	0,90	1,40
Spacing	$s_{cr,fi}$	[mm]	4 x h_{ef}			
Edge distance	$c_{cr,fi}$	[mm]	2 x h_{ef}			
The design method covers fasteners with a fire attack from one side only. In case of fire attack from more than one side, the edge distance shall be ≥ 300 mm.						
1) in the absence of other national regulation a partial safety factor $\gamma_{M,fi} = 1,0$ is recommended						

JCP Drop In Anchor DBM / DBMSH

Performance
Characteristic resistance under fire exposure

Annex C2
of European
Technical Assessment
ETA-23/1029